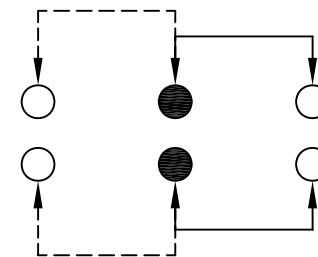
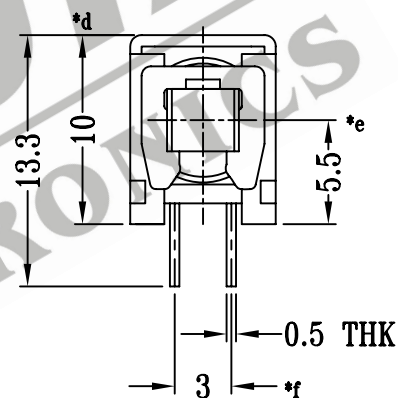
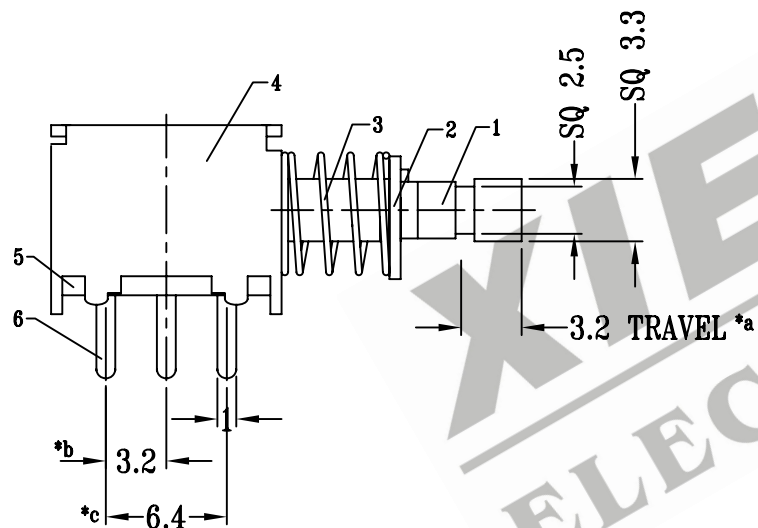
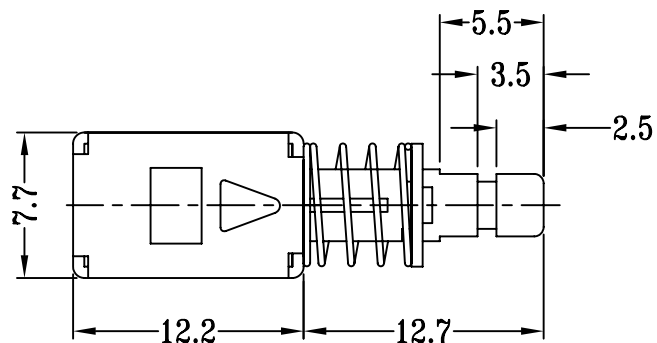
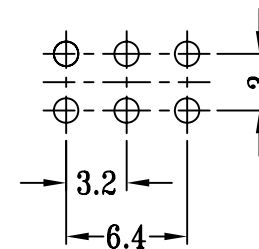


CAD FILE:



SCHEMATIC (NON-SHORTING)



P.C.B LAYOUT

注：“*”表示关键尺寸（6个）

8	CONTACT CLIP	PBS	2	Ag CLAD	TOLERANCE UNLESS SPECIFIED	SHENZHEN XIEJIA ELECTRONICS CO.,LTD.				
7	SCREEN	STEEL STRIP	6	Ni PLATED						
6	TERMINAL	BRASS STRIP	6	Ag PLATED OVER Ni PLATED	WITHIN: 1.5±0.1mm	ISSUE	DATE	DESCRIPTIONS OF REVISION		APPD.
5	BASE	PHENOLIC RESIN	1	NATURAL	OVER: 1.5±0.2mm					
4	FRAME	STEEL STRIP	1	Ni PLATED	TITLE : PUSH SWITCH		UNIT : mm	DRWG NO.: XJ-DR-PS22F13-00		
3	SPRING	STEEL WIRE	1	Ni PLATED	MODEL: PS-22F13 (NON-LOCKED)		SCALE: 5 : 2	DWN.	ZHOUYU	2003-12-30
2	BLOCK	STEEL STRIP	1	Ni PLATED	ALL MATERIALS MUST BE COMPLIANT TO ROHS		APPD.	CHK'D	FANGYING	2003-12-30
1	KNOB	POM	1	BLACK				KANGXINAN	2003-12-30	
NO.	PARTS	MATERIALS	Q'TY	FINISH						